

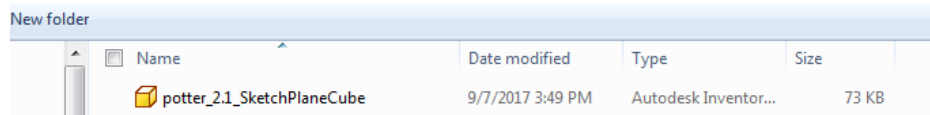
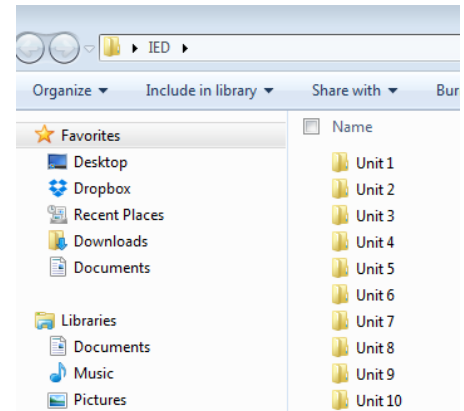
# Intro to Inventor

Throughout the year, you will be making many parts in Inventor. We need to start keeping files organized now or things will get confusing really quick.

- ✓ In your student “S” drive, make a folder named “IED”, which is the name of this class.
- ✓ In your IED folder, make 10 Unit folders: Unit 1, Unit 2, and so on... (See picture to the right)
- ✓ We are going to use the following naming convention for naming our files:

yourlastname\_Unit#\_nameofproject

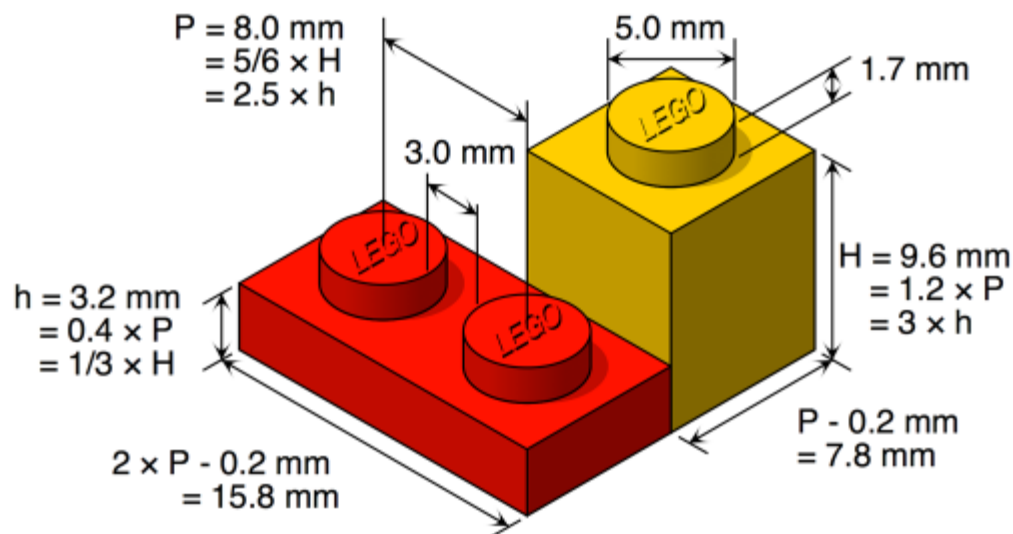
So an example file name for me would be: “potter\_2.1\_SketchPlaneCube”



## Lego

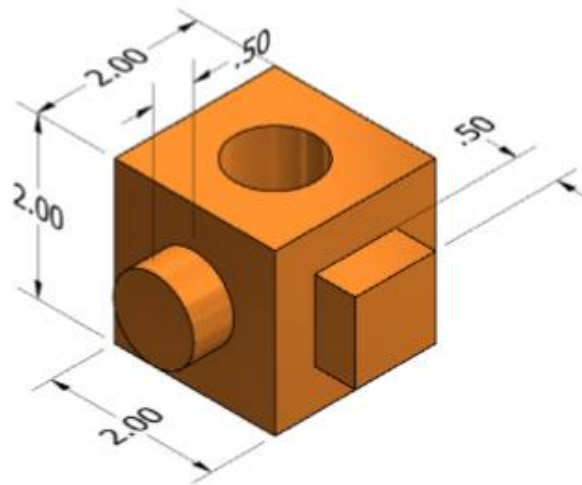
The file name for the red one will be: yourlastname\_1.6\_lego1x2

The file name for the yellow one will be: yourlastname\_1.6\_lego1x1



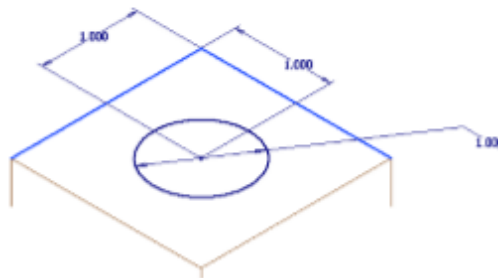
## Activity Sketch Plane Cube

Create the following part in Autodesk® Inventor®. Save your file as SketchPlaneCube\_YourInitials.ipt.

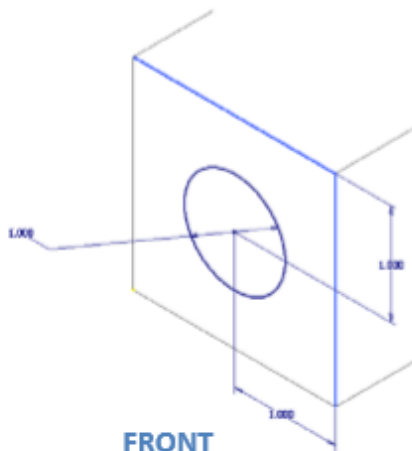


The following drawing views provide the size and location details for each extrusion.

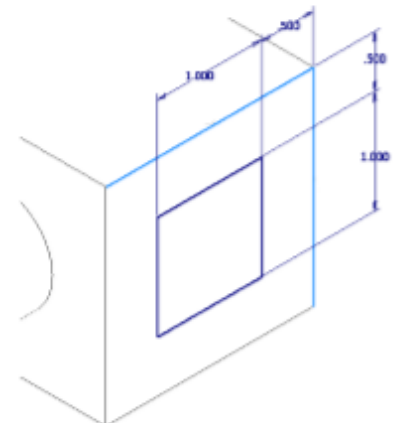
The following drawing views provide the size and location details for each extrusion.



TOP



FRONT



RIGHT